

SAFETY INSTRUCTIONS	3
GENERAL DESCRIPTION	3
INSTALLATION	4
WIRING	5
PACKING LIST	6

DH1500 RAPID ROLLING DOOR OPERATOR

USER'S MANUAL



WARNING!

**ONLY QUALIFIED AND EXPERIENCED TECHNICIANS SHOULD ATTEMPT
INSTALLATION OR SERVICE TO THIS UNIT, OTHERWISE, SERIOUS PER-
SONAL INJURY, DEATH, OR PROPERTY DAMAGE MAY OCCUR.
PLEASE KEEP THESE INSTRUCTIONS FOR FURTHER REFERENCE.**



1. SAFETY INSTRUCTIONS

It is important that you read all the following instruction:

- Read carefully this manual.
- The door operator should be installed and put into operation by qualified personnel. Otherwise, serious personal injury or property damage may occur.
- It is necessary to install the mechanical stops on guides, in order to avoid the exit of the door from the guides.
- The operator motor may only be disengaged with the door closed. This must be carried out by specialist personnel for maintenance purpose only.
- Keep remote controls or button switch away from children, to prevent the door operator from being activated involuntarily.
- Locate any fixed control: within sight of door but away from all moving parts of the door and at a height of more than 1.4m above the ground to avoid children reaching it.
- The operator should be switched off before repairing it or opening its cover.
- When opening or closing the door, do not attempt to walk or drive through the door.
The door should only be operated when it can be observed to avoid accidents.
- It is forbidden to use the crank, when the electric operator runs, that can cause damage of the motor. Withdraw the crank before running the operator.

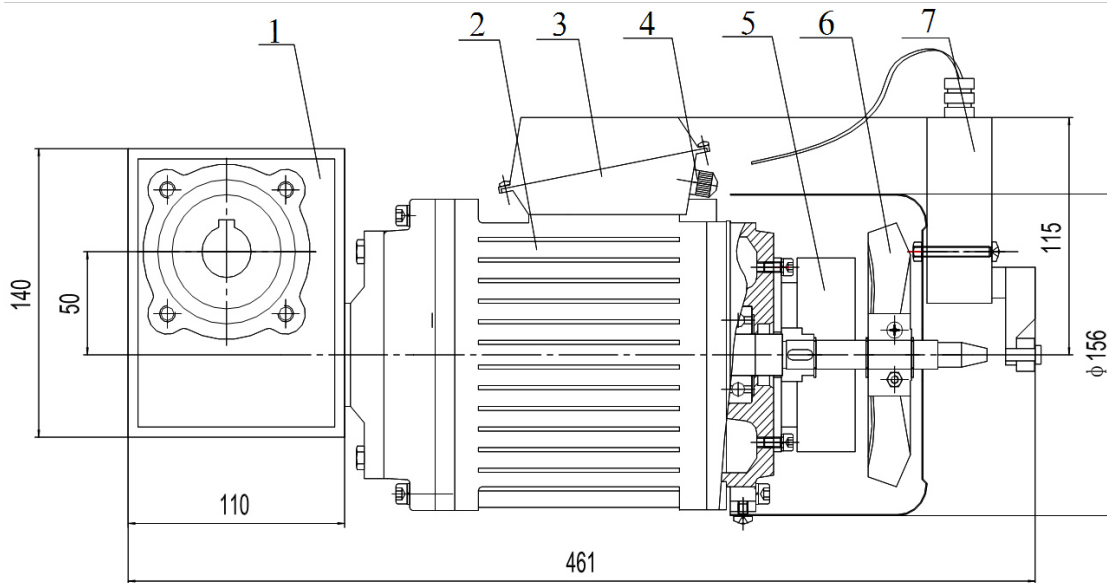
2. GENERAL DESCRIPTION

- The rapid rolling door can isolate, open quickly, provide an emergency exit, protects your environment from humidity, dust or other external factors and saves energy.
- Main technical parameters:

Model	DH1500(DELTA Connection)	DH1500S(STAR Connection)
Power supply	220V/60Hz	380V/50Hz
Motor rotation speed	2880rpm	
Reduce ratio	1:30 (1:15)	
Motor power	1.5kw	
Rated output torque	60N.m	
Electromagnetic	DC99V	
Output shaft aperture	∅ 25mm	
Work duty	S2-15min/ S3-50%	
Environment temperature	-20°~+45°	
Dimensions	462*230*165 mm	
Main unit weight	20 kg	

Main function:

- Use soft curtain door.
- Because of operating speed, they reduce energy costs and create more comfortable working condition.
- Uses newly encoder to replace the limit switch to ensure high precision, safe and reliable.
- The control unit regulates all the necessary functions such as soft start & soft stop, open priority, automatic close.
- Wiring terminals for infrared photocell, loop detector and radar etc.

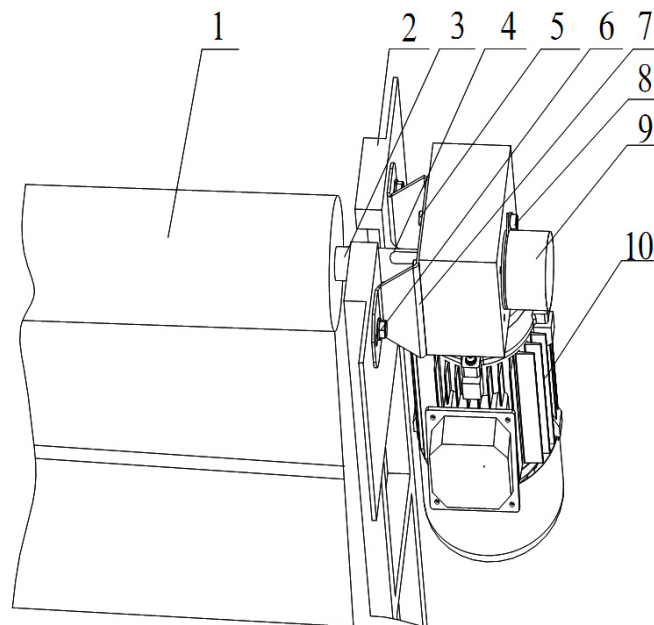


1.Reducer 2.Motor 3.Wiring box 4.waterproof connector
5.Electromagnet brake 6.Fan 7.Safety switch

Fig.1

3. INSTALLATION

- Check the door is in good working condition, manually open and close the door to make sure the door operates smoothly and freely.
- Use PVC curtain door only.
- The door must be well balanced, install balance spring if necessary.



1. Door 2.Fix board 3. Door shaft 4.Flat key 5.Screw
6.Bolt 7.Bracket 8.Screw 9.Encoder 10.Motor

Fig.2

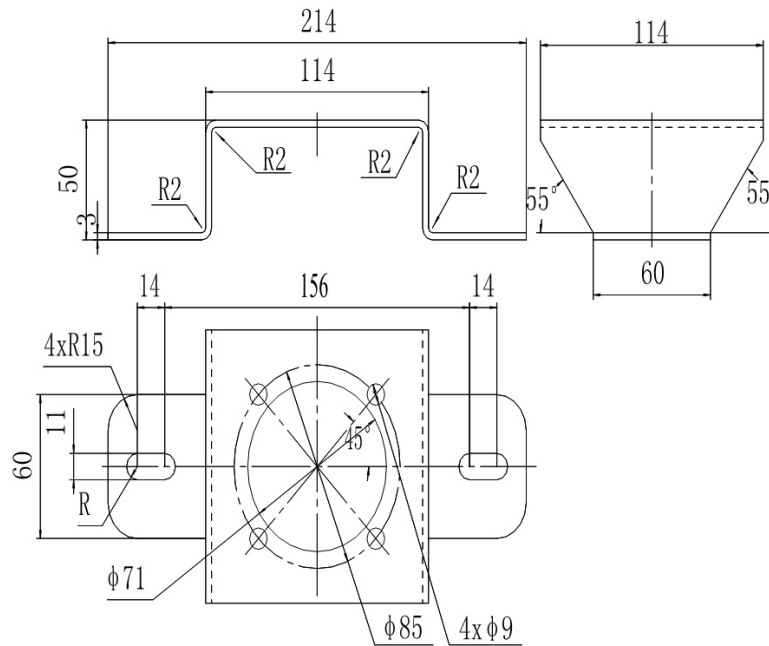


Fig. 3

- Make sure the door shaft which out of the door operator about 160mm.
- To install the bracket on the fix board, determine the location, mark and drill the 2 holes (Ø11).
- Fix the bracket on the operator with 4 screws M8x16. Make sure that the bracket is plumb and lever. See Fig.2
- The bracket installation should meet the specifications as shown in figure 3
- Slot the door operator with bracket onto the door shaft (ensure correct position of the key) and screw onto the fix board with 2 bolts M10x25 and 2 nuts M10.
- Slot the encoder onto the door shaft and push it close to the door operator and screw onto the door operator with screw M8x16.
- Tight the screw on the encoder, make sure the encoder rotates with the shaft simultaneously.

4. WIRING

Before carry out any wiring work, it is essential to disconnect the control unit from the mains supply.

Motor

Open the wiring terminal block cover, connect motor as shown in Fig.4.

Factory preset: Δ Wiring (PLC Input single-phase 220V, Output three-phase 220V)

Y Wiring (PLC Input three-phase 380V, Output three-phase 380V)

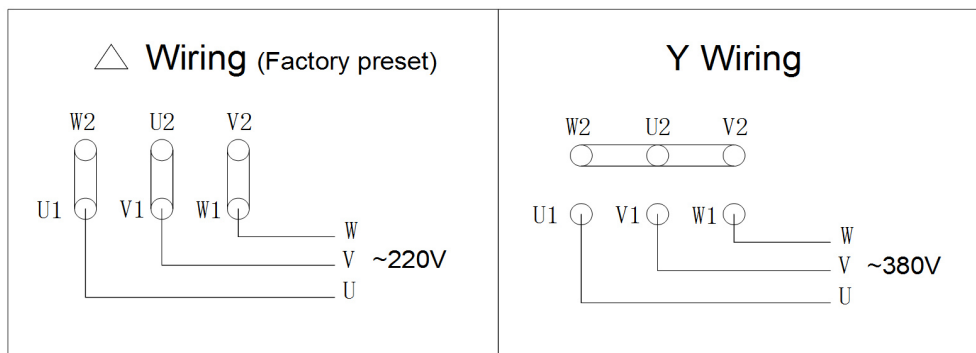


Fig. 4

Electromagnet brake

Connect power wires 220V (terminal block D, N1 of control box) to yellow wires of rectifier. Connect two wires of electromagnet to black wires. The non-excitation brake is adjust be

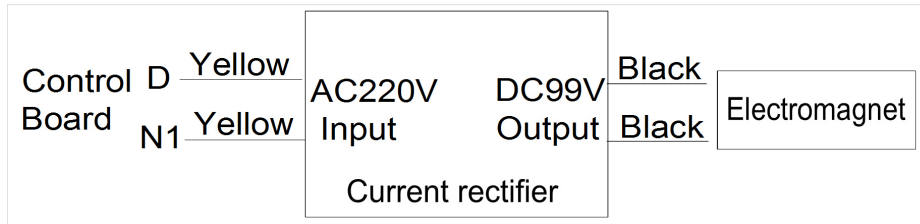


Fig. 5

Manual operation

Crank

The operator is equipped with a crank, which is used for emergency lifting/lowering of the door in case of power cut. Clock wise to open, anticlockwise to close.



Warning

- Use the crank only in emergency.
- It is forbidden to use the crank, when the electric operator runs.

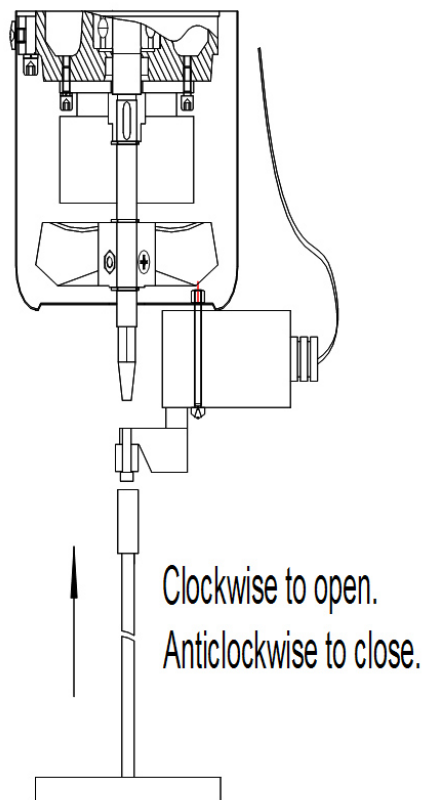


Fig. 6

5. PACKING LIST

After receiving the product, you should make an unpack-inspection, in which you should check whether the product was damaged. If you have any problem please contact our sales agent. You should find the following items in our standard packing:

No.	Item	Quantity
1	Door motor	1
2	Reducer	1
3	Bracket	1
4	Screw and washer M8X16	4
5	Bolt M10X25	2
6	Nut M10	2
7	Key 8X80	1
8	Crank	1
9	Current rectifier	1
10	Screw and washer M5X12	1
11	User's manual	1

DOORHAN[®]

DoorHan thank you for purchasing our products.
We are sure you will be satisfied with the quality of our products.

If you have any questions in purchase, distribution and service,
please, contact regional representatives or the central office
of the company at the address:

China, Suzhou
No.5188, Baodai West Road, Xukou Town,
Suzhou, 215164, P.R.China
Tel.: +86(512)66316111
Fax: +86(512)66316107
E-mail: sales.suzhou@doorhan.com
www.doorhan.com